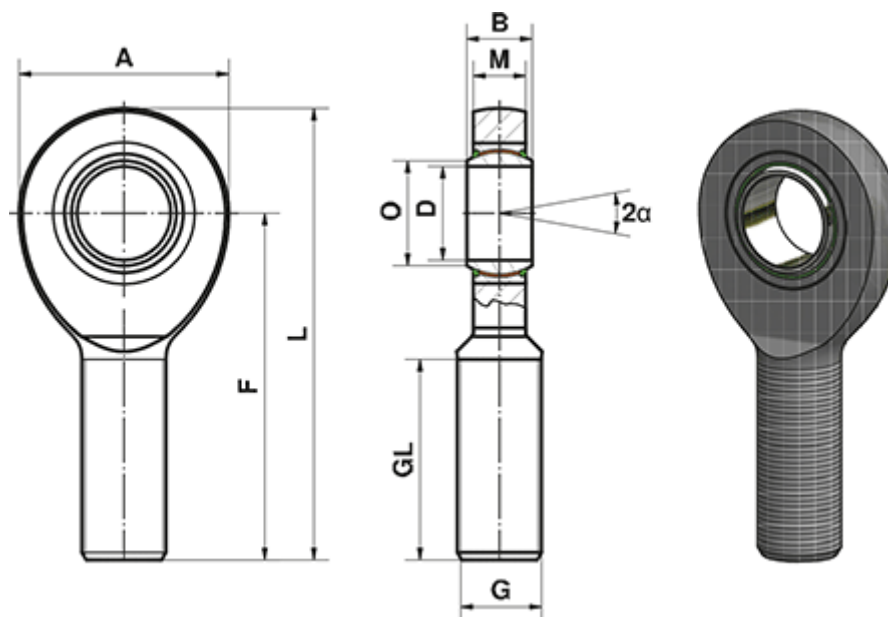


# Data Sheet



Article number: 03493020  
Description: Fluro Heavy Duty Rod end EAL 20 EW-2RS  
M20x1,5 Male thread  
Note: 20

## Measures



A	= 53	L	= 104.5
a (degrees)	= 9	M	= 12
B	= 16	O	= 24.1
D	= 20	Static load C0 (kN)	= 62.5
Dynamic load C (kN)	= 67.5	Weight (g)	= 320
F	= 78		
G	= M20x1,5		
GL	= 43		